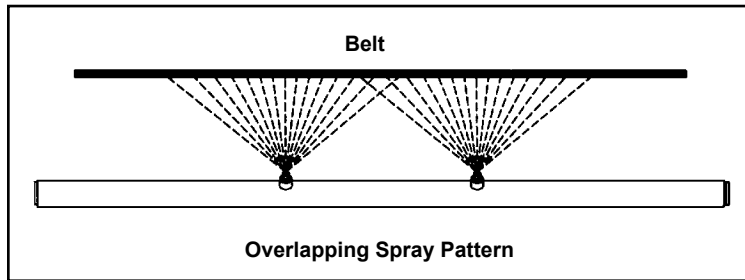


Belt Cleaner Accessories

Water Spray Pole Information

SPRAYNOZZLES



- Spray nozzles are spaced on 12" centers
- Deliver .98 gallons/minute at 60 psi
- Generally will affect moisture content of material by less than 1/2%
- Spray nozzles should be angled at 45° to the belt.

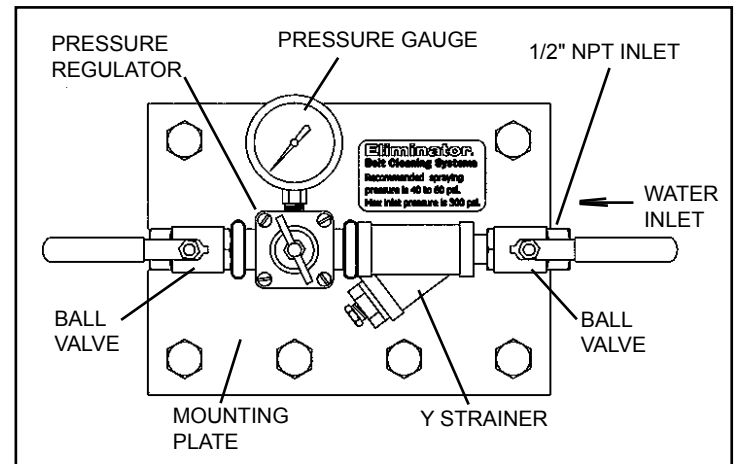
SPRAY POLE CONTROL PANEL

- Controls spray pressure and flow
- Maximum inlet pressure is 300 psi
- Typical pressure setting range: 40-60 psi

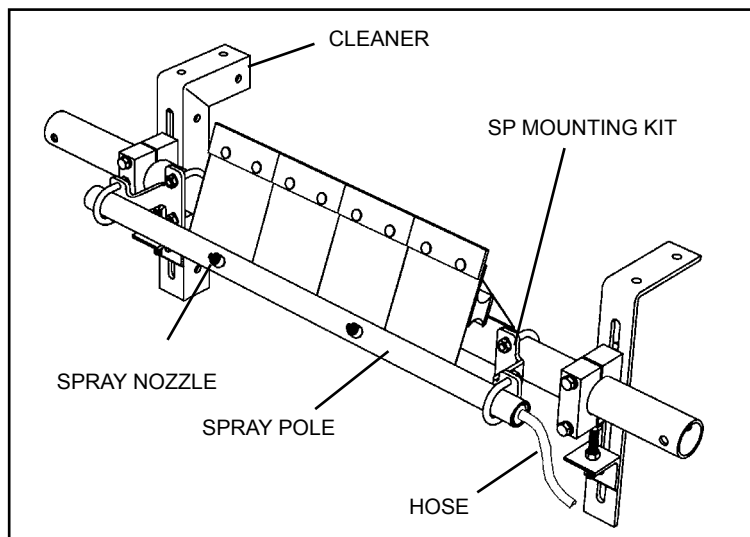
SPRAYNOZZLES PER BELT WIDTH

in.	18	24	30	36	42	48
mm	450	600	750	900	1050	1200
Spray Nozzles	1	2	2	3	3	4
in.	54	60	72	84	96	120
mm	1350	1500	1800	2100	2400	3000
Spray Nozzles	4	5	6	7	8	10

REPLACEMENT PARTS - CONTROL PANEL



REPLACEMENT PARTS - SPRAY POLE



DESCRIPTION	CLEANER SIZE	ORDERING NUMBER	ITEM CODE
SP Mounting Kit--U	18" - 42"	SPMK1	75577
SP Mounting Kit--P,I,R	18" - 72"	SPMK2	75578
SP Mounting Kit--U	48" - 60"		
SP Mounting Kit--HD P,I,R	42" - 120"	SPMK3	75579
SP Mounting Kit--HD U	72" - 120"		
SP Ball Valve		SPBV	74742
SP Y Strainer		SPYS	74743
SP Pressure Regulator		SPPR	74744
SP Hose 10 ft		SPH10	74745
Spray Pole Nozzle		SPN	74746
Spray Pole Gauge		SPG	74747
SP SS Pipe Nipple		SPPN	74748

Specify mounting kit by type and size of cleaner being used.



1995 Oak Industrial Dr. NE • Grand Rapids, MI 49505 U.S.A.

Telephone: (616)-459-3196 • Fax: (616)-459-4976 • E-mail: info@flexco.com • Web: www.flexco.com

Australia: 61-2-9680-3322 • China: 86-21-33528388 • England: 44-1274-600-942
Germany: 49-7428-9406-0 • Mexico: 52-55-5674-5326 • South Africa: 27-11-608-4180

©2008 Flexible Steel Lacing Company. 06/08. For Reorder: X1084

